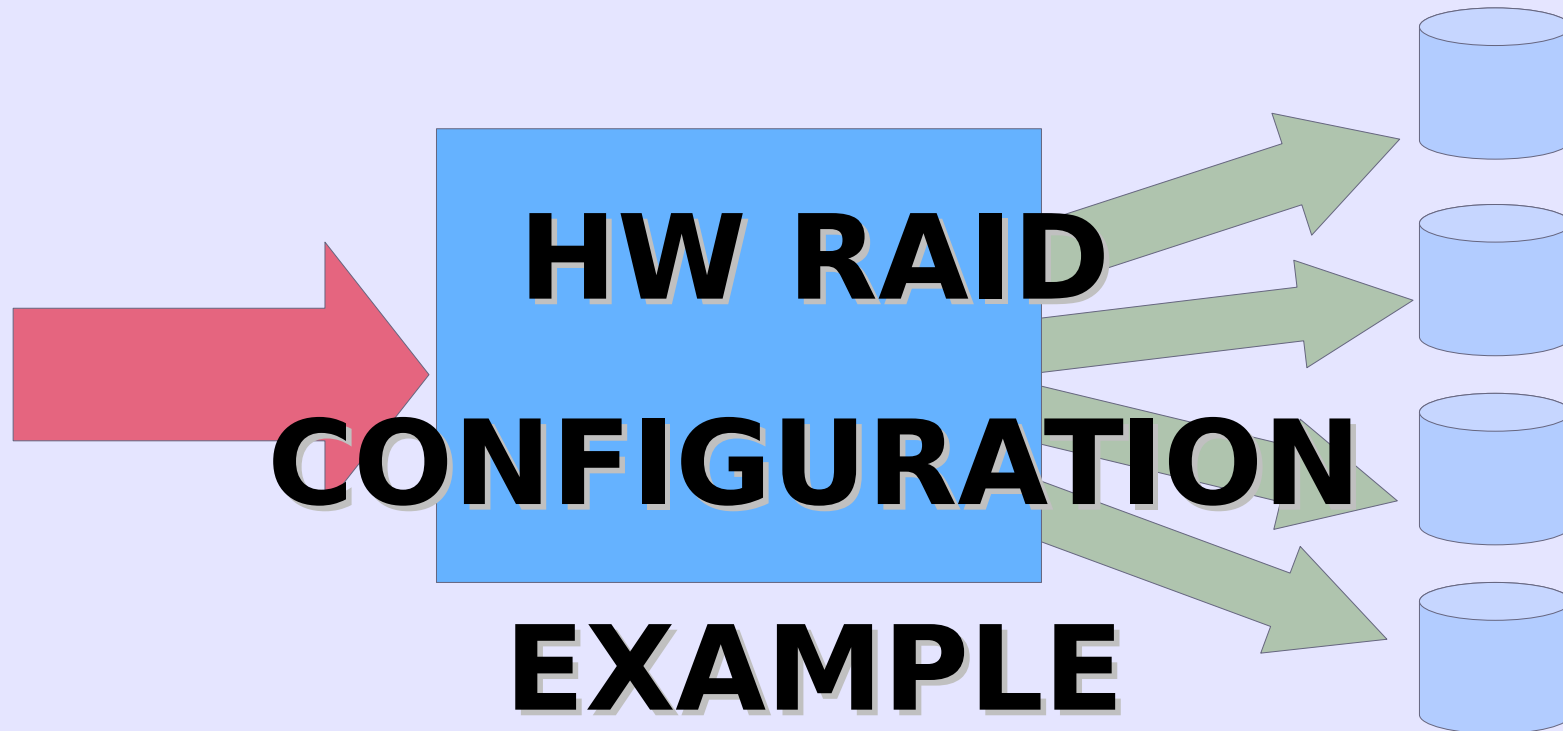
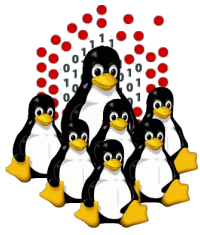


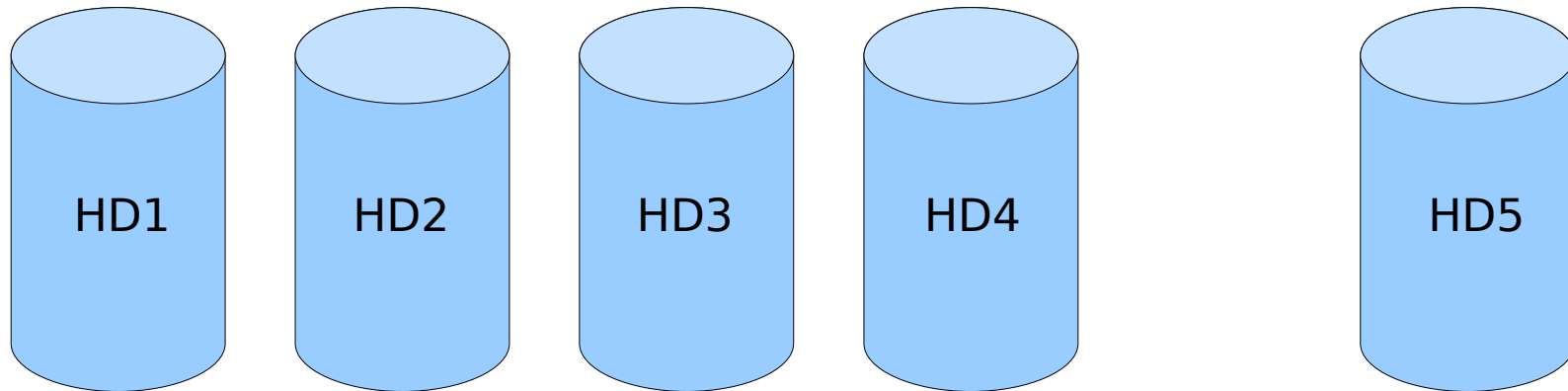
**Moreno Baricevic**

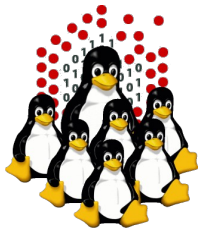
CNR-IOM DEMOCRITOS  
Trieste, ITALY



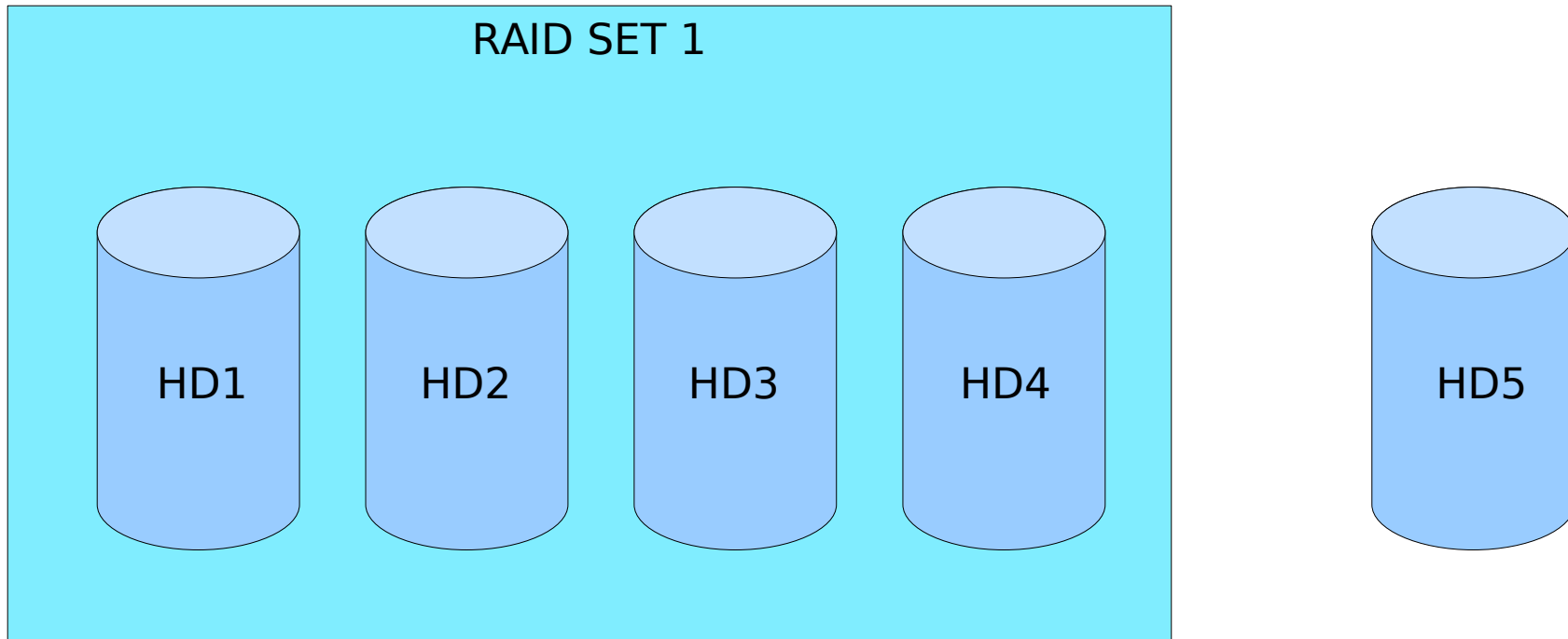


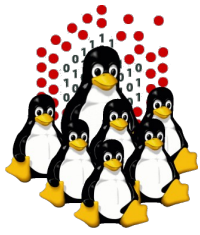
# RAID SET 1 + HOT SPARE



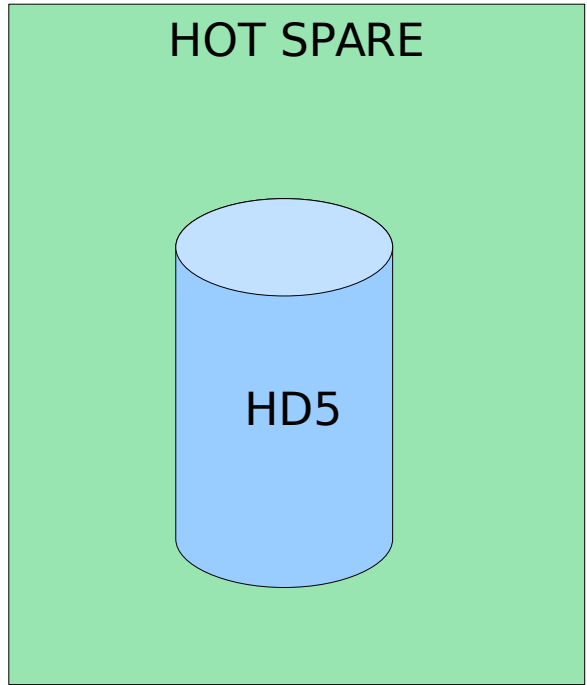
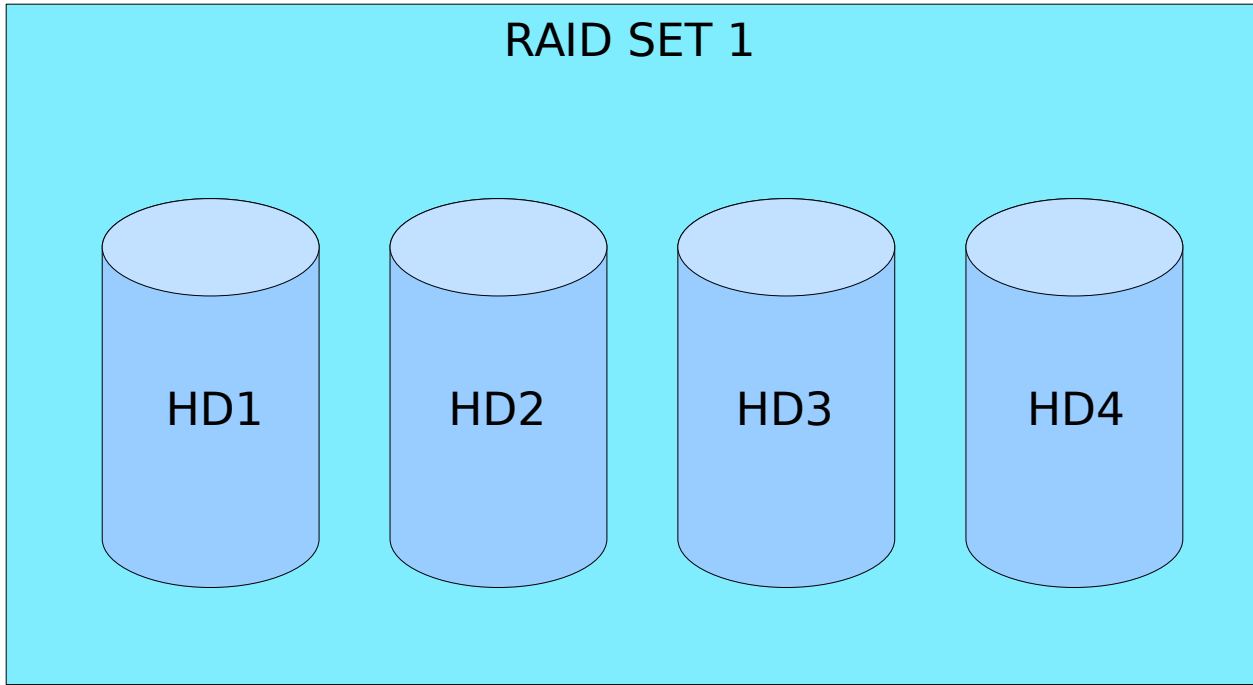


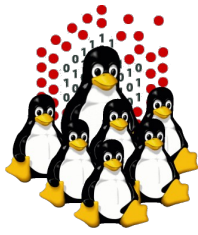
# RAID SET 1 + HOT SPARE





# RAID SET 1 + HOT SPARE

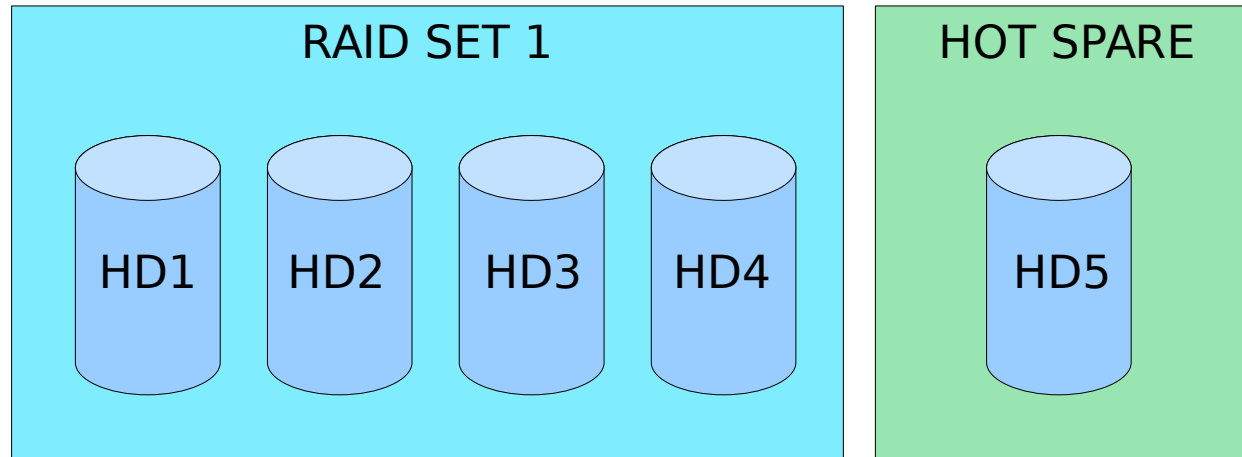


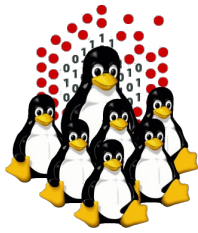


# VOLUME SET 1 (as RAID 6 for reliability)

sda1: /boot

sda2: LVM: /, /tmp, /var, ...

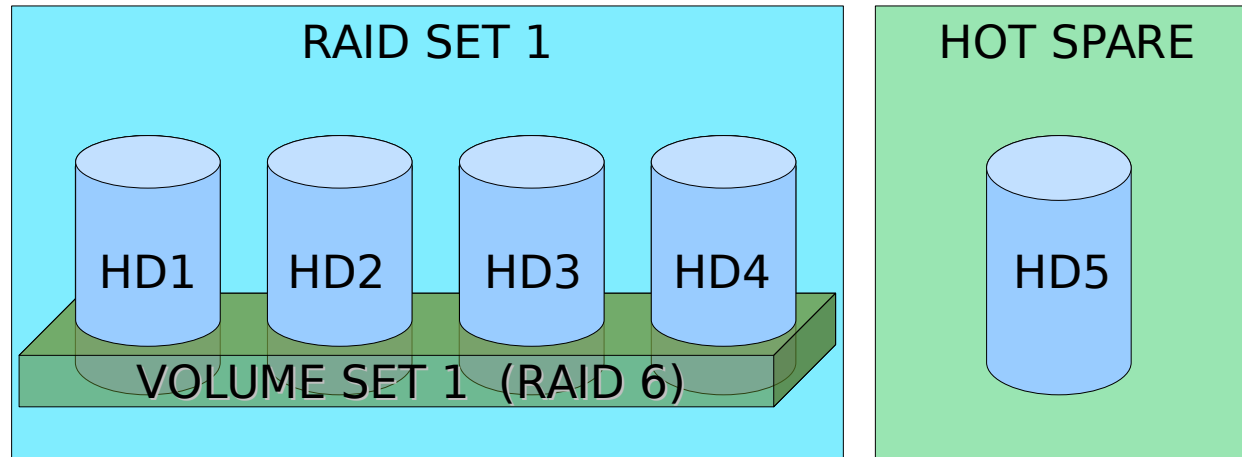


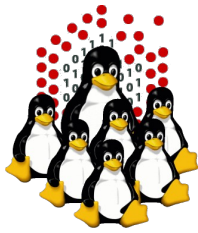


# VOLUME SET 1 (as RAID 6 for reliability)

**sda1: /boot**

**sda2: LVM: /, /tmp, /var, ...**

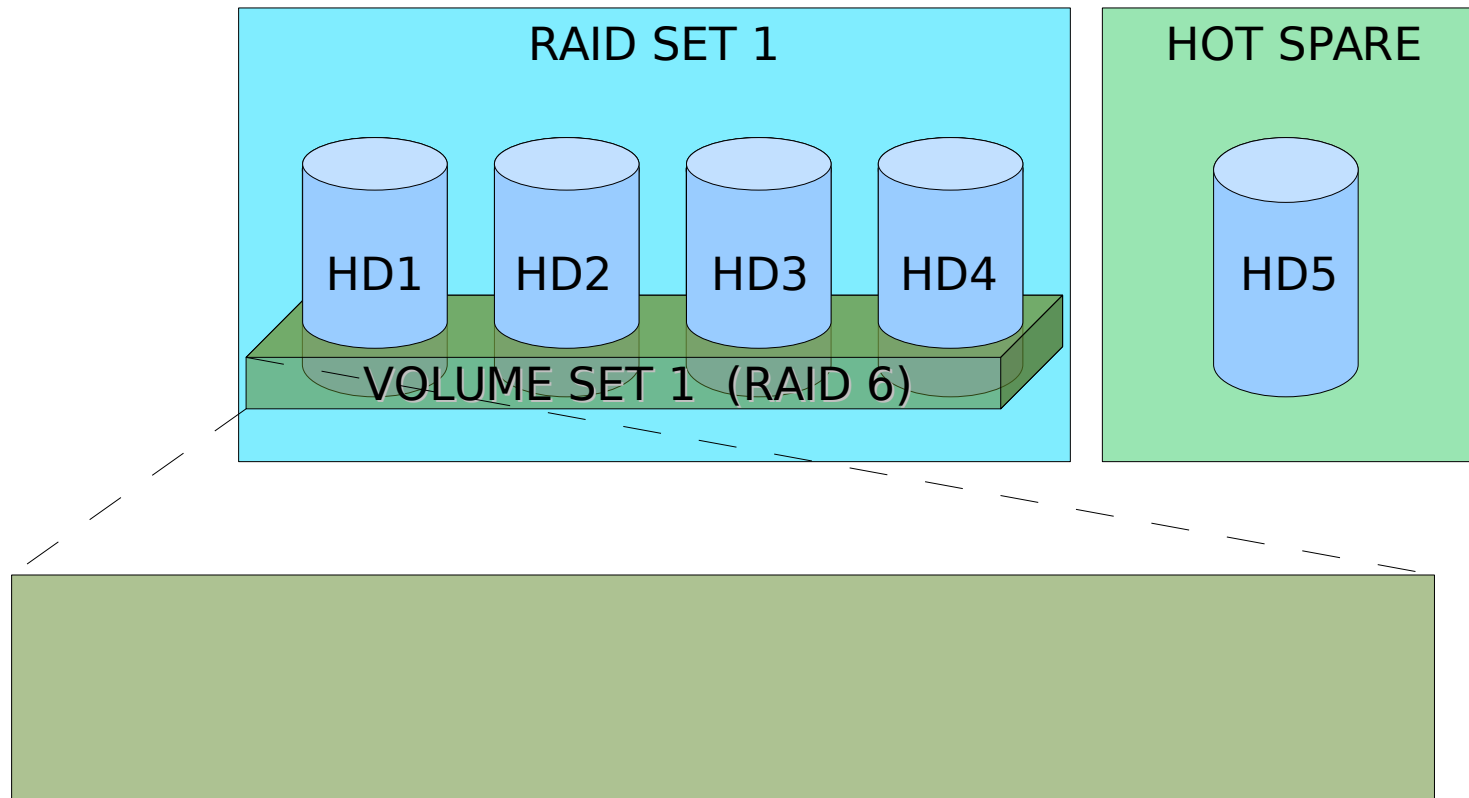


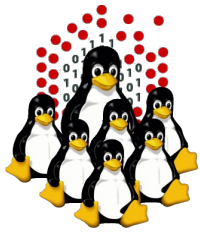


# VOLUME SET 1 (as RAID 6 for reliability)

sda1: /boot

sda2: LVM: /, /tmp, /var, ...

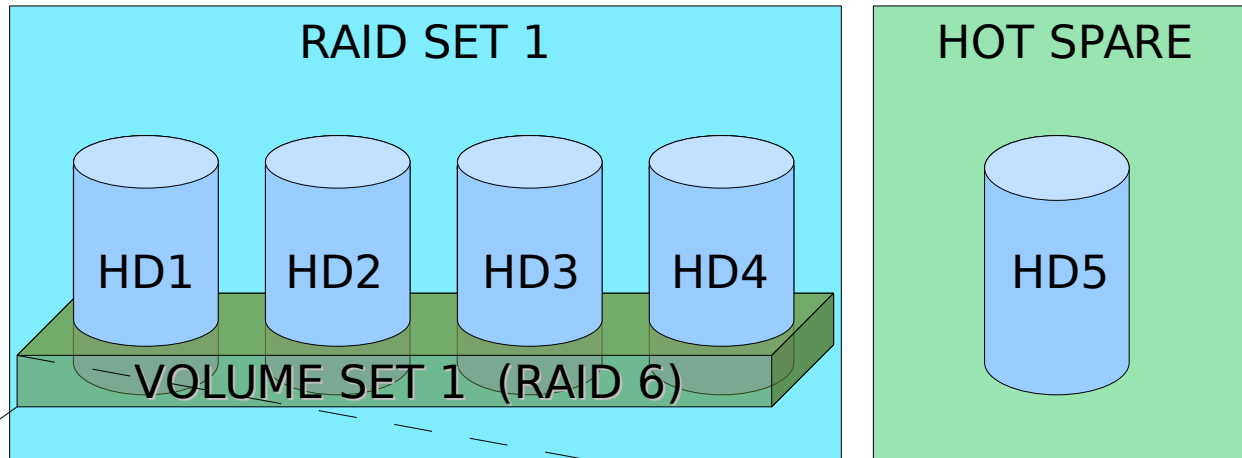




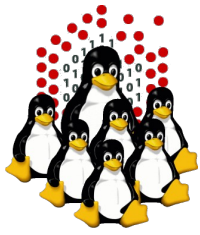
# VOLUME SET 1 (as RAID 6 for reliability)

sda1: /boot

sda2: LVM: /, /tmp, /var, ...



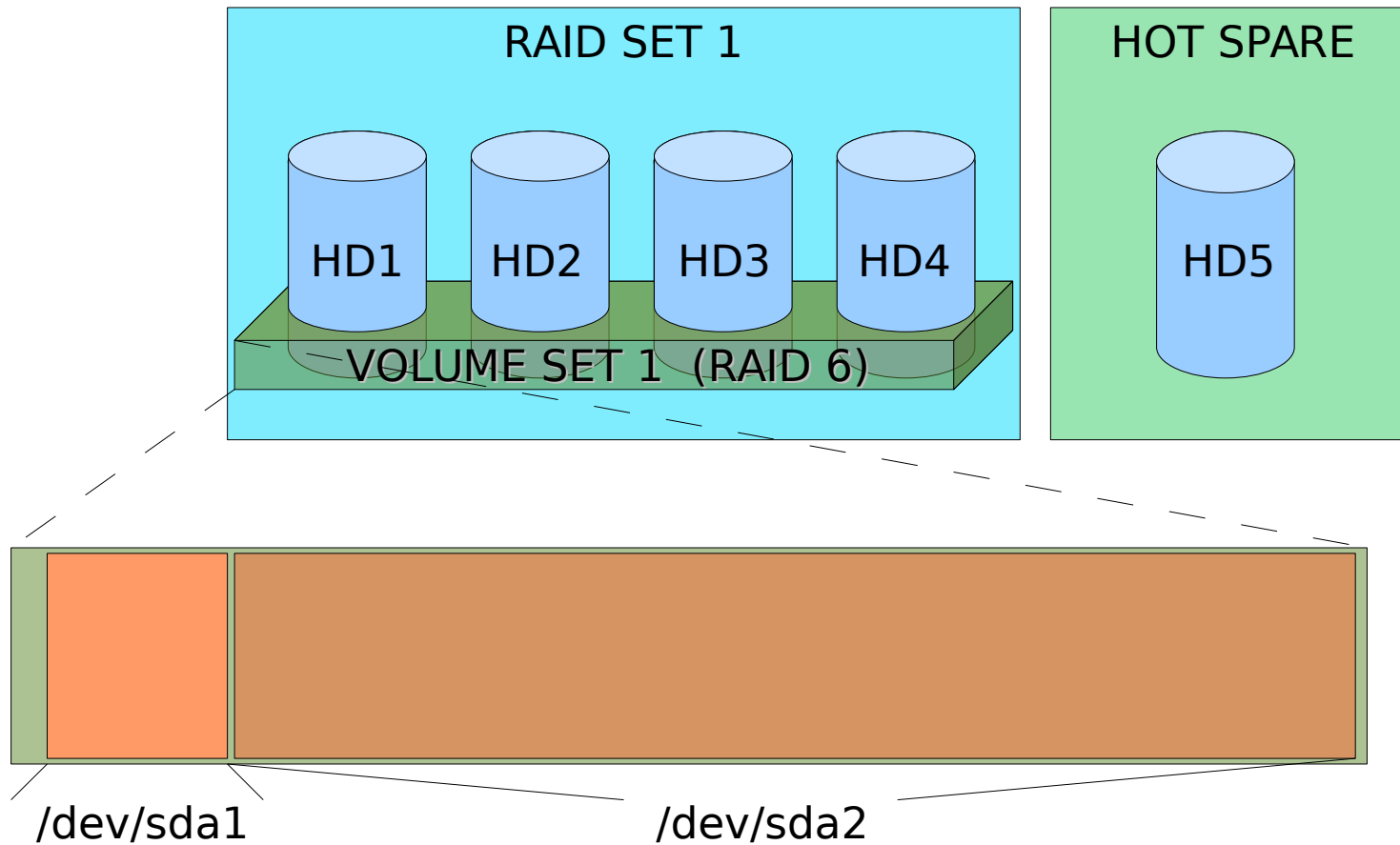


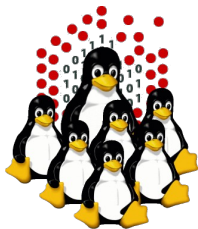


# VOLUME SET 1 (as RAID 6 for reliability)

sda1: /boot

sda2: LVM: /, /tmp, /var, ...

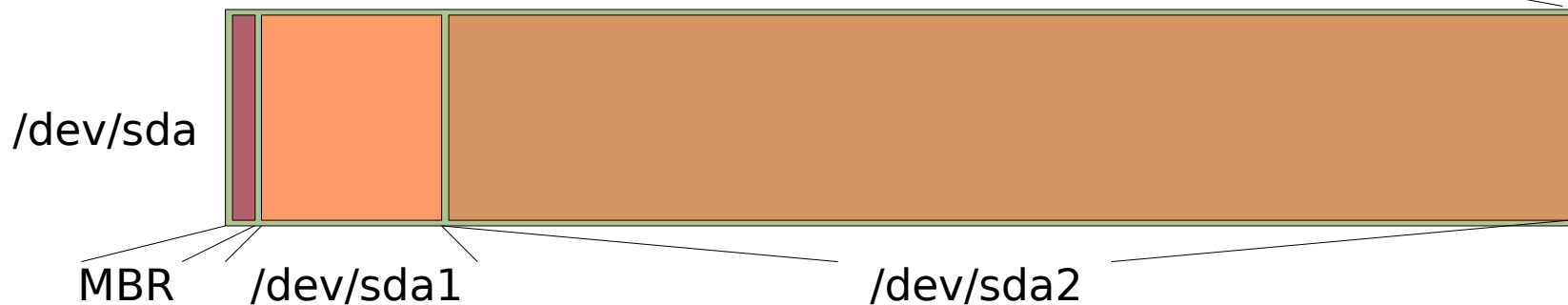
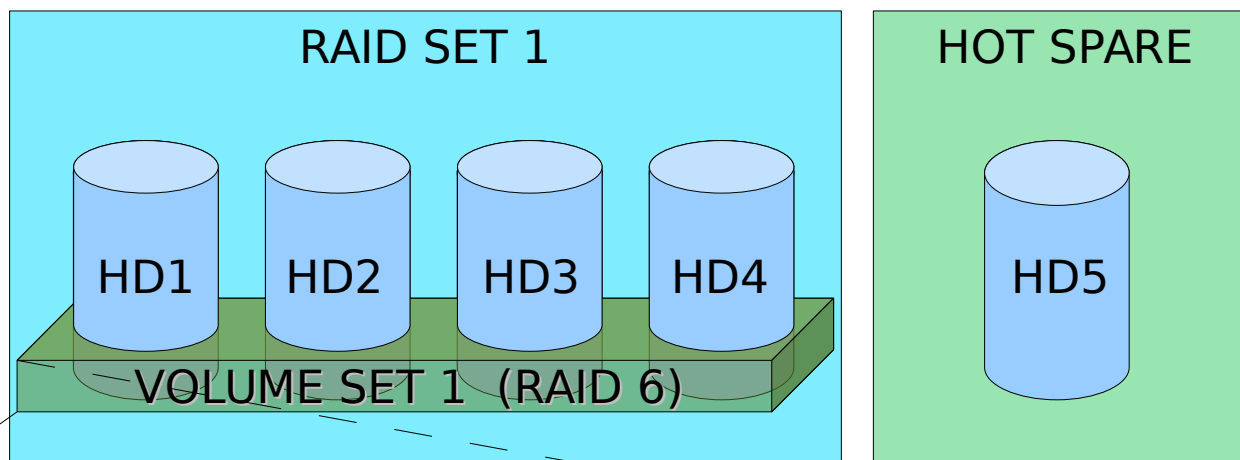


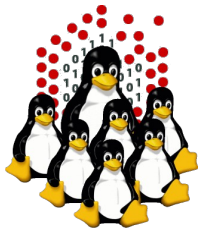


# VOLUME SET 1 (as RAID 6 for reliability)

sda1: /boot

sda2: LVM: /, /tmp, /var, ...

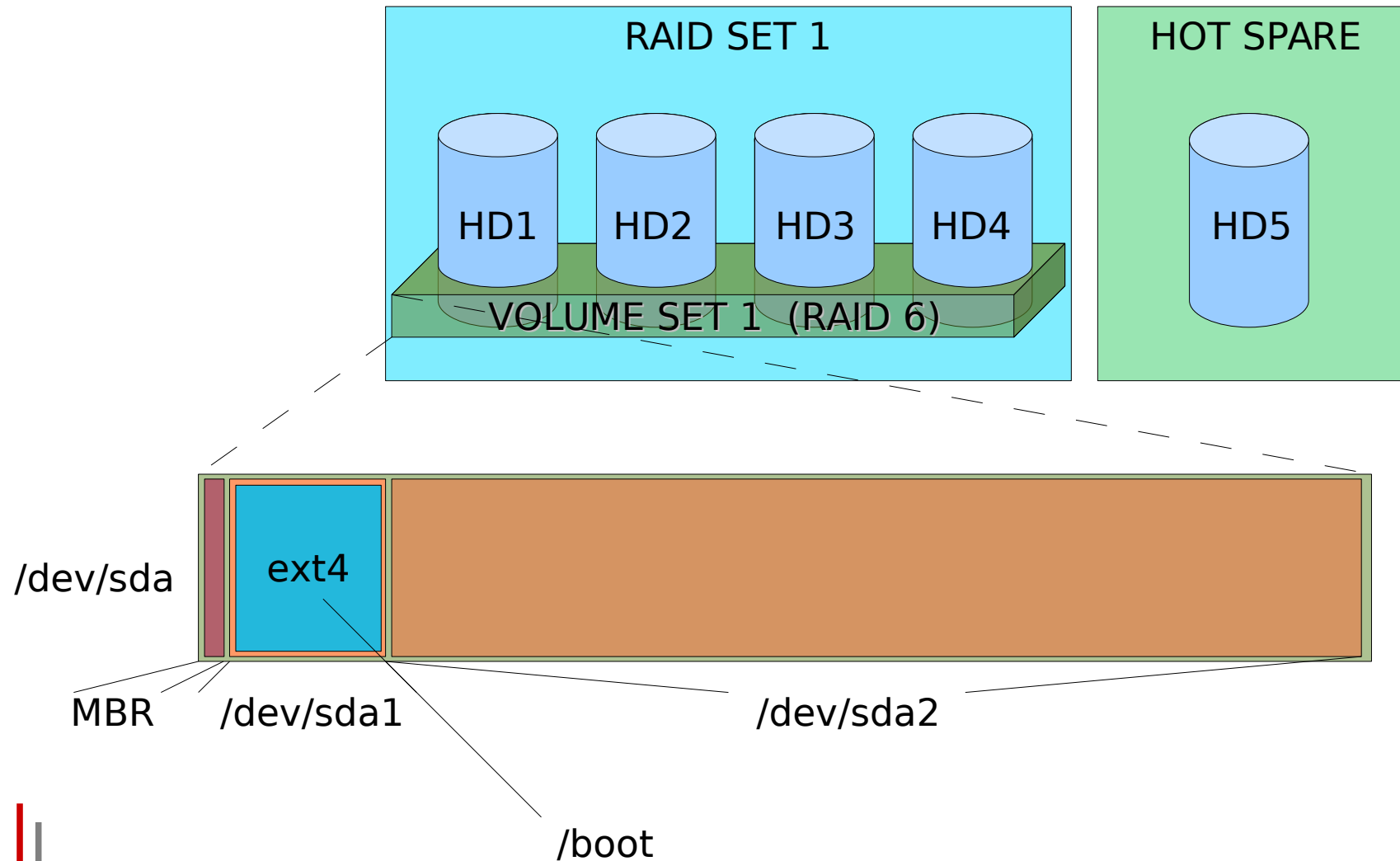


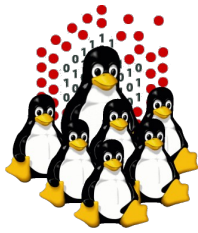


# VOLUME SET 1 (as RAID 6 for reliability)

sda1: /boot

sda2: LVM: /, /tmp, /var, ...

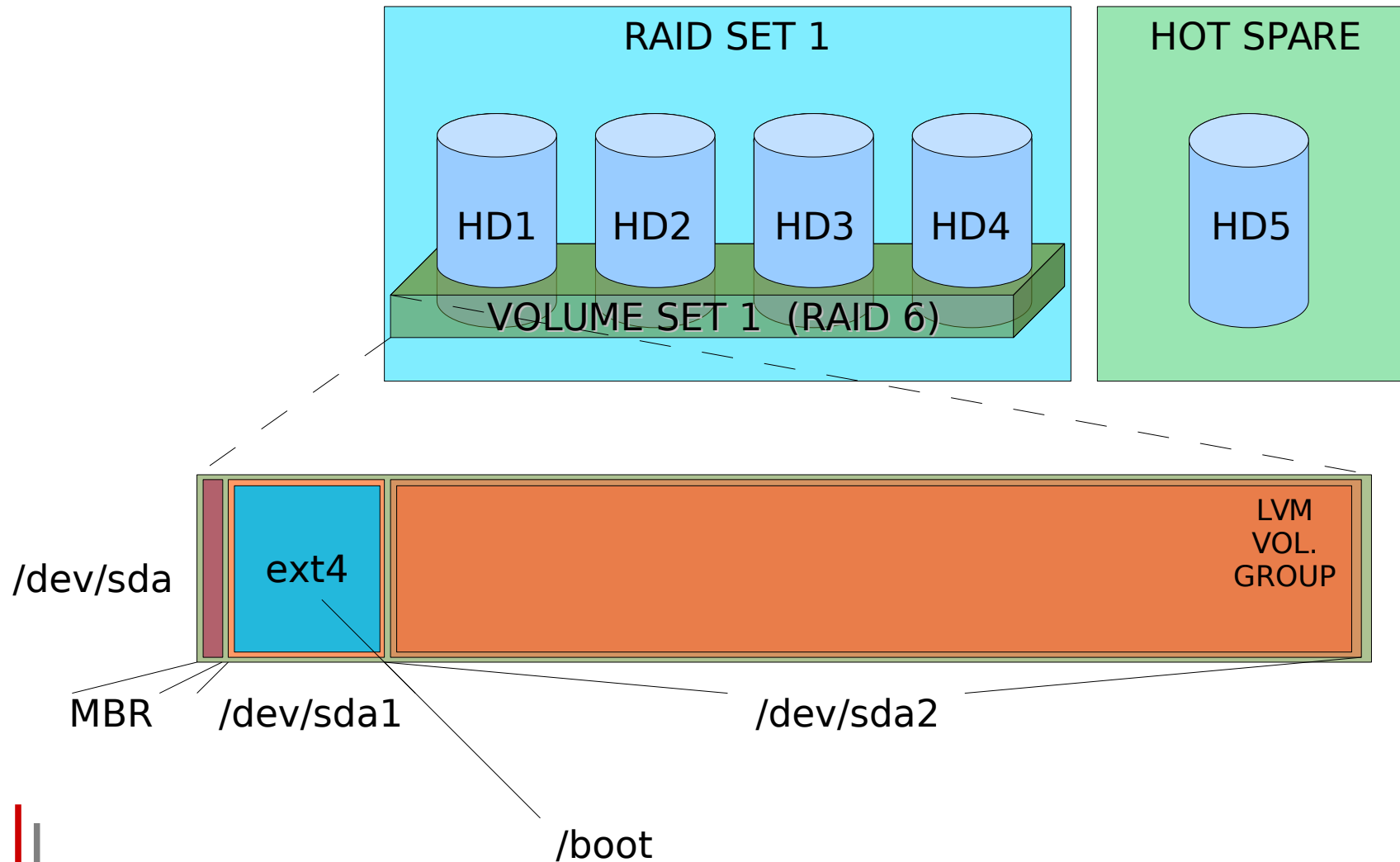


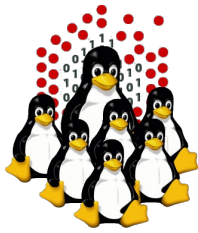


# VOLUME SET 1 (as RAID 6 for reliability)

sda1: /boot

sda2: LVM: /, /tmp, /var, ...

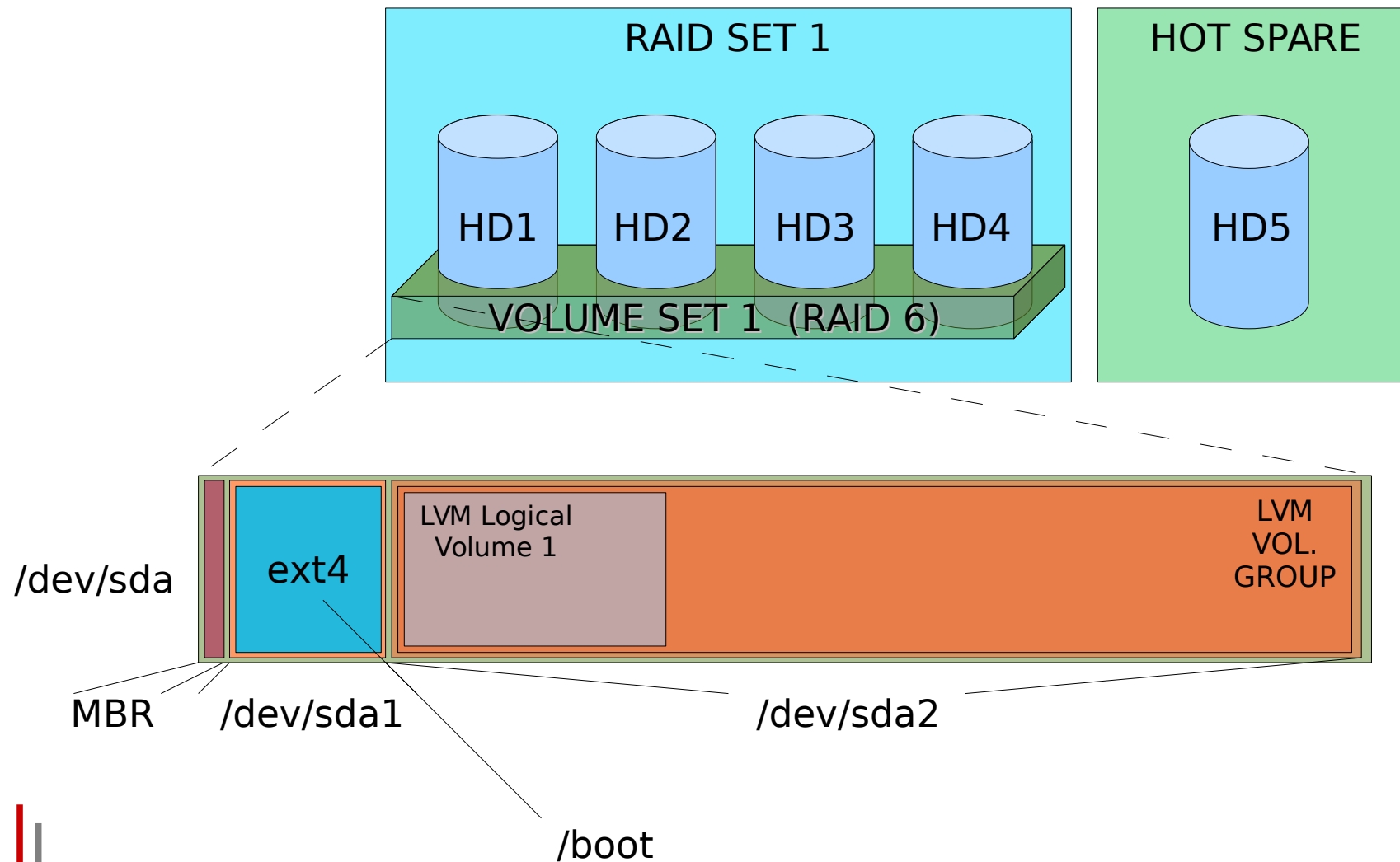


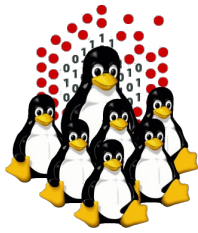


# VOLUME SET 1 (as RAID 6 for reliability)

sda1: /boot

sda2: LVM: /, /tmp, /var, ...

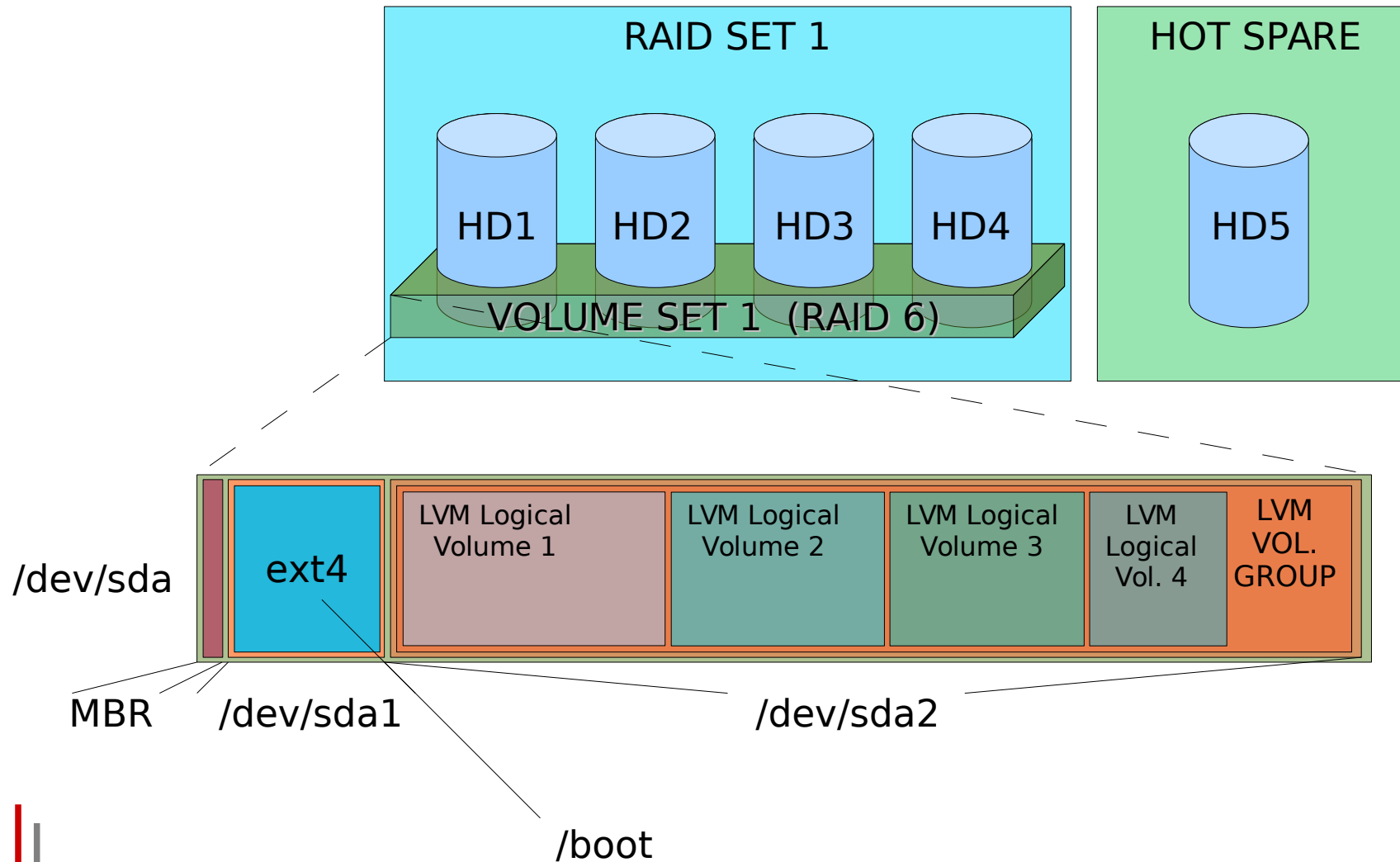


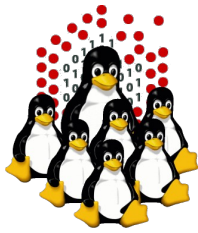


# VOLUME SET 1 (as RAID 6 for reliability)

sda1: /boot

sda2: LVM: /, /tmp, /var, ...

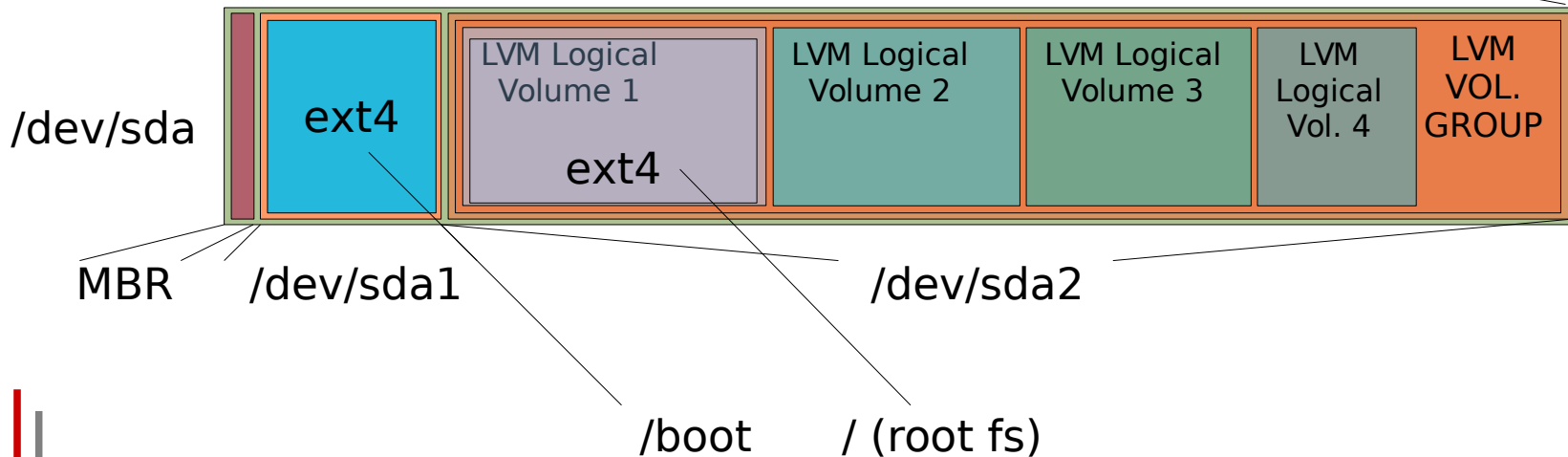
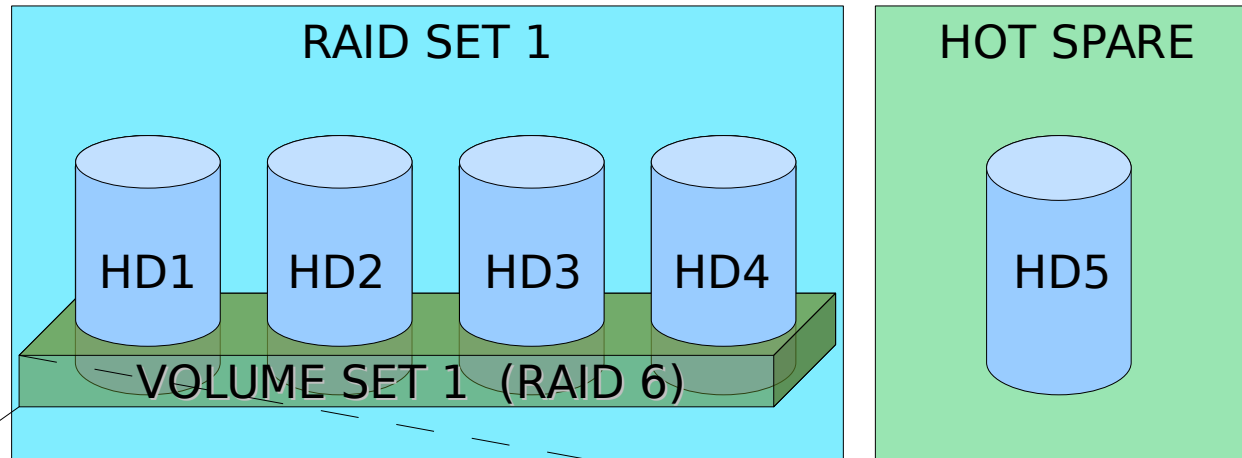


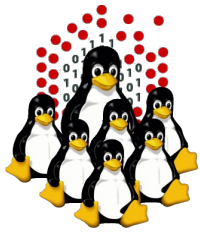


# VOLUME SET 1 (as RAID 6 for reliability)

sda1: /boot

sda2: LVM: /, /tmp, /var, ...

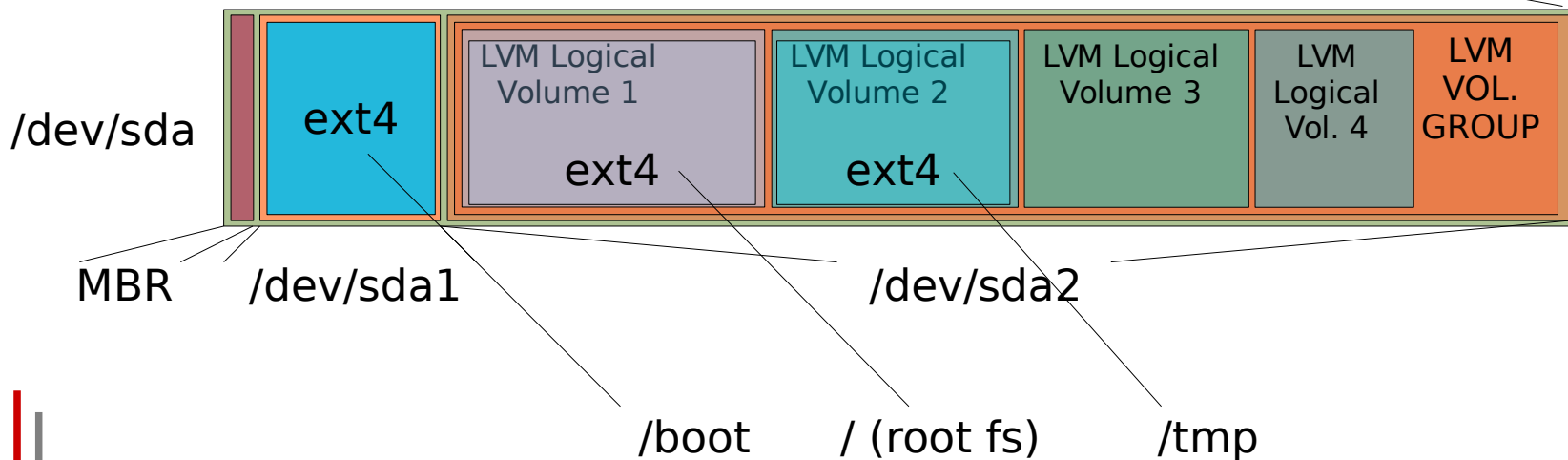
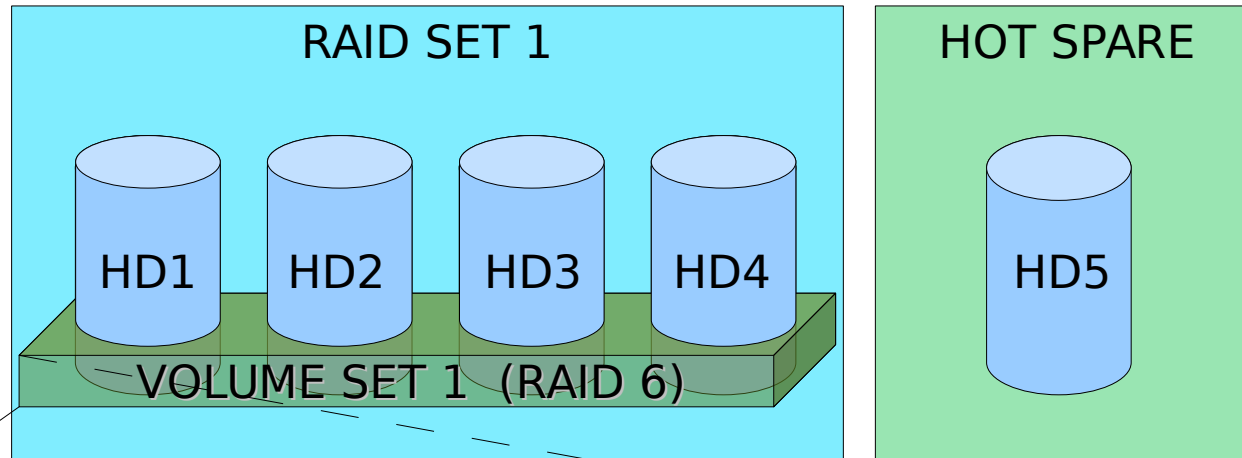




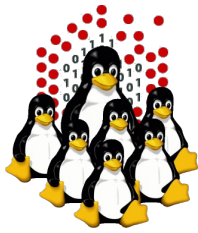
# VOLUME SET 1 (as RAID 6 for reliability)

sda1: /boot

sda2: LVM: /, /tmp, /var, ...



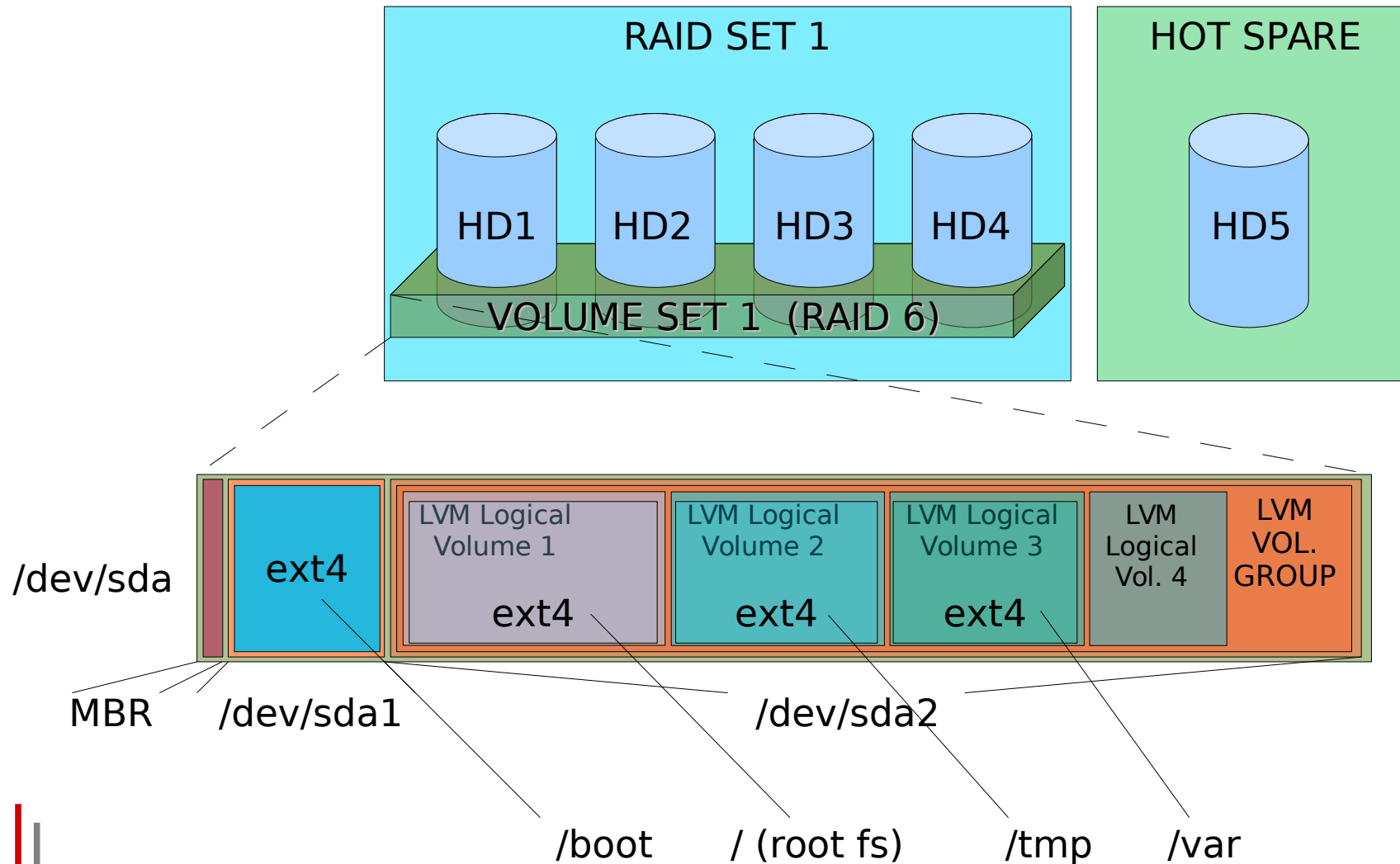


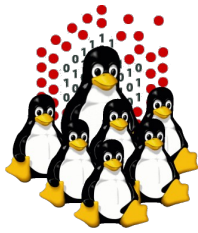


# VOLUME SET 1 (as RAID 6 for reliability)

sda1: /boot

sda2: LVM: /, /tmp, /var, ...

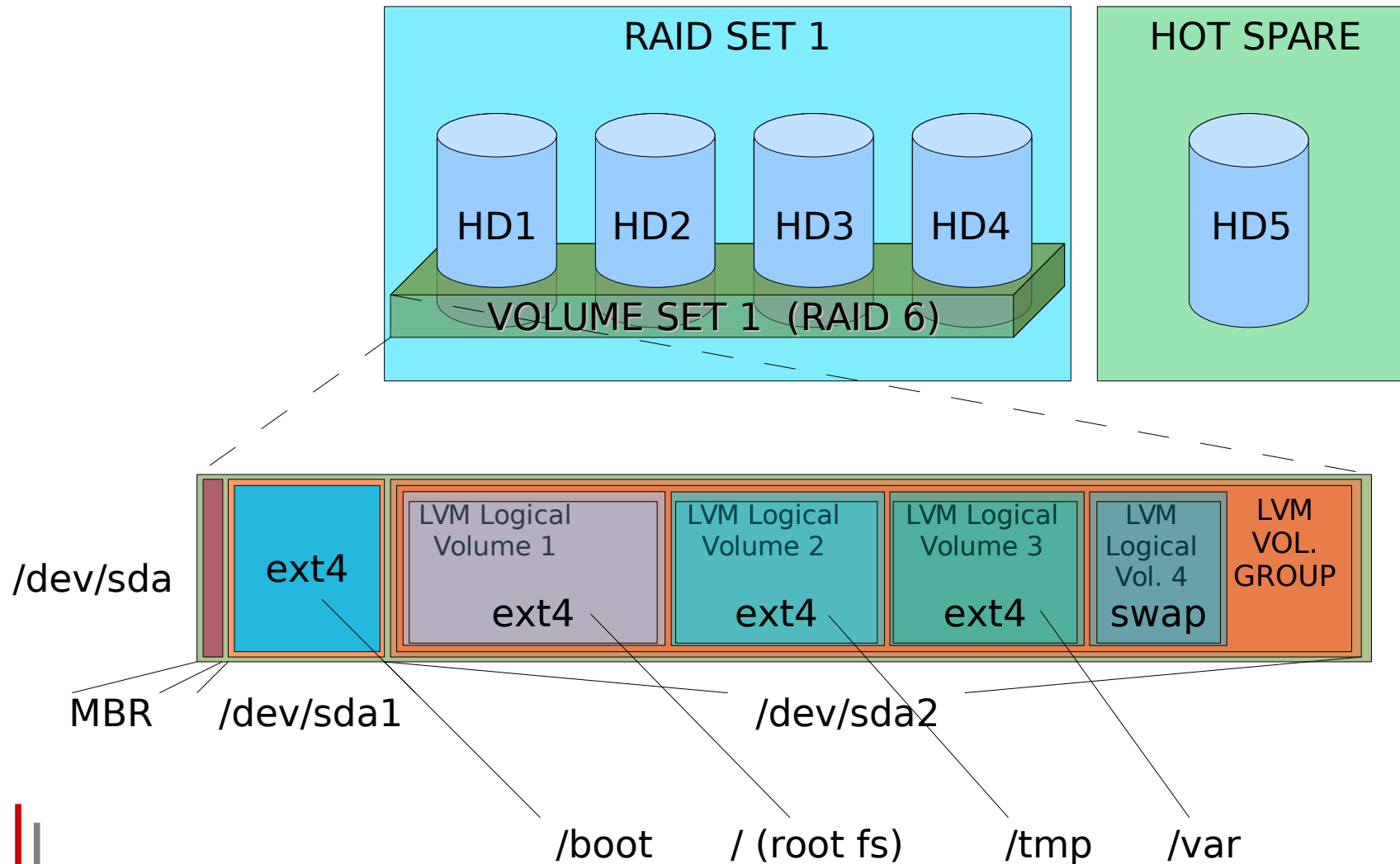


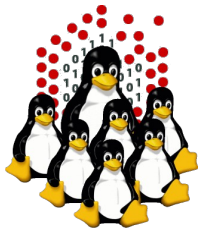


# VOLUME SET 1 (as RAID 6 for reliability)

**sda1: /boot**

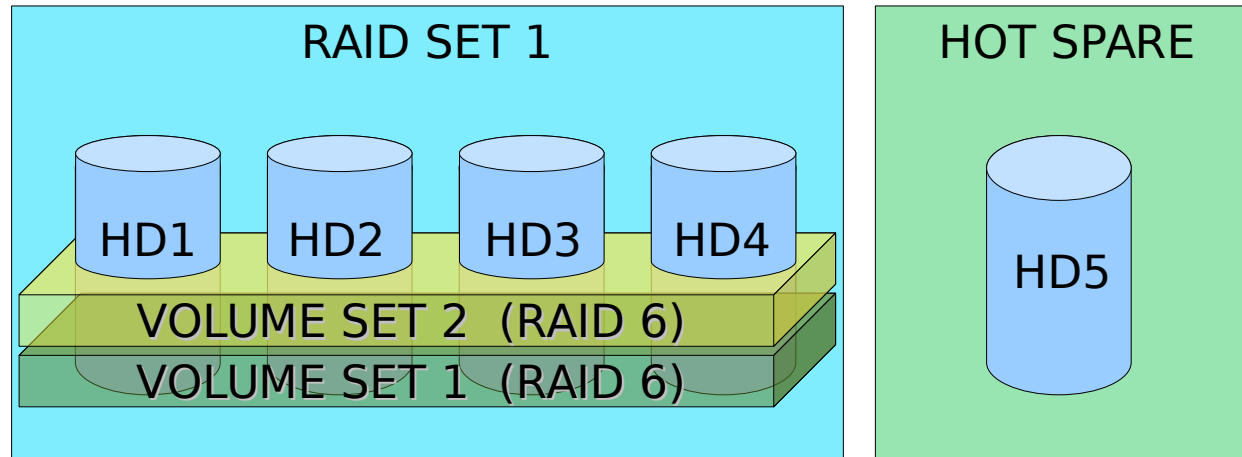
**sda2: LVM: /, /tmp, /var, ...**

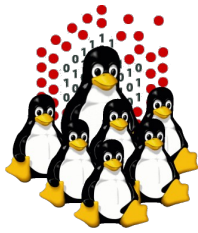




# VOLUME SET 2 (as RAID 6 for reliability)

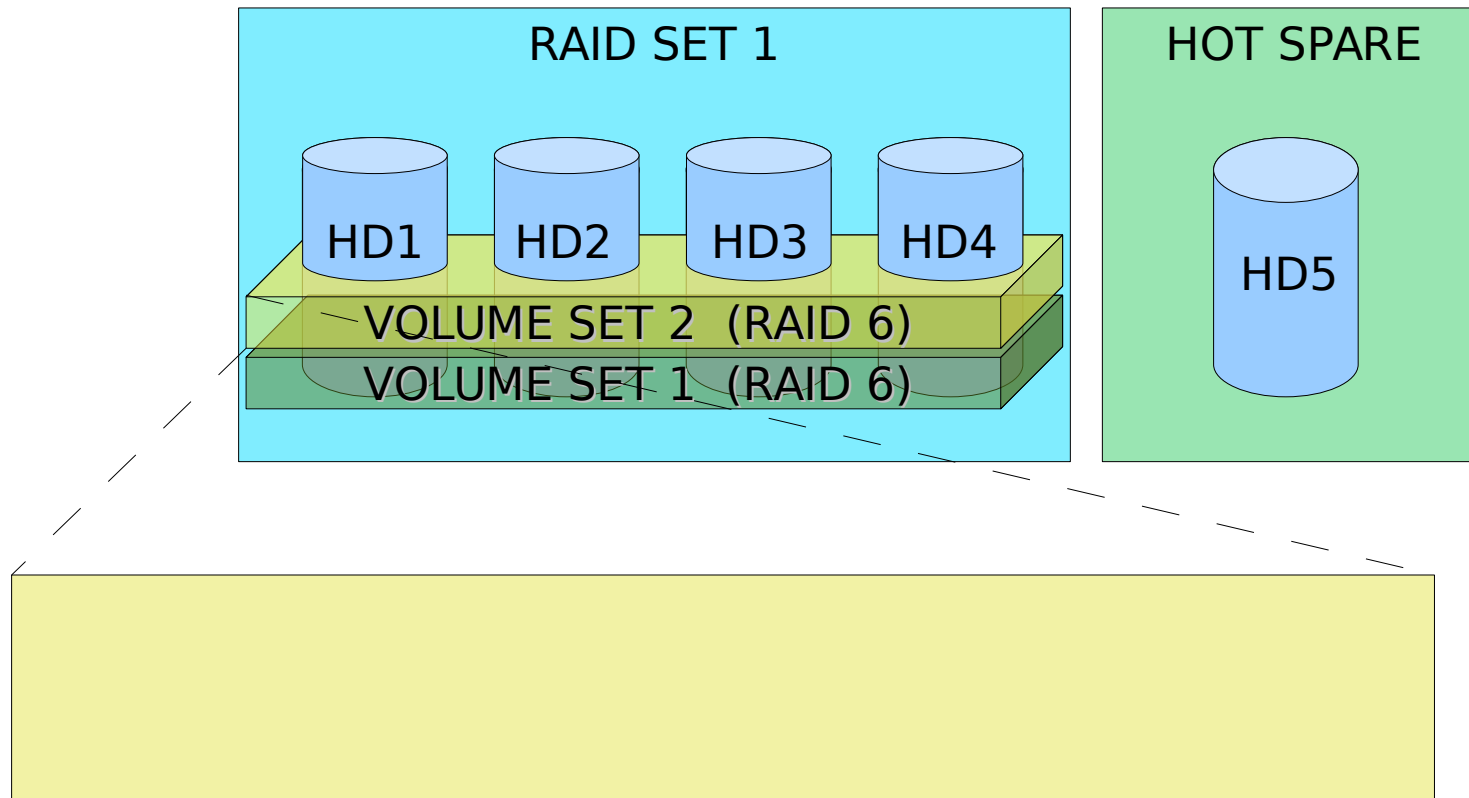
sdb1: /home

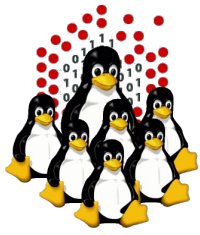




# VOLUME SET 2 (as RAID 6 for reliability)

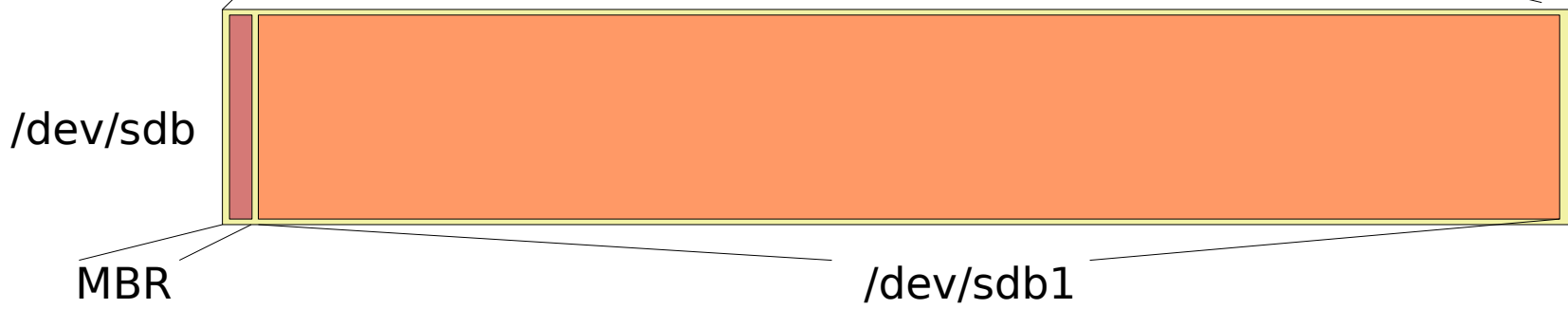
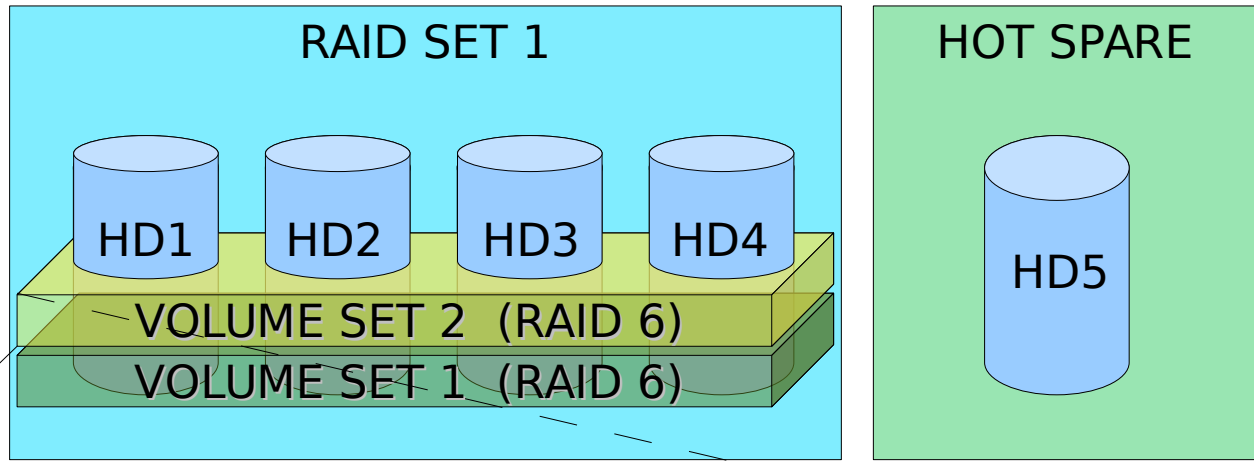
`sdb1: /home`

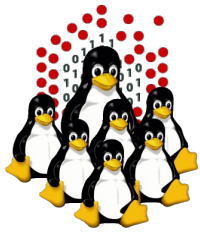




# VOLUME SET 2 (as RAID 6 for reliability)

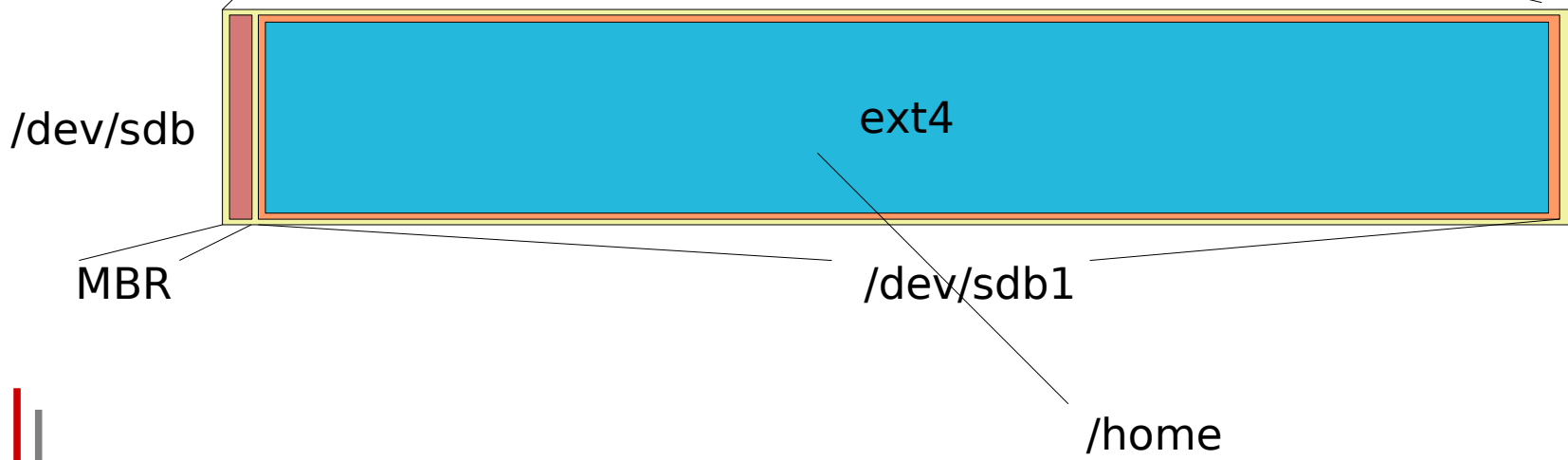
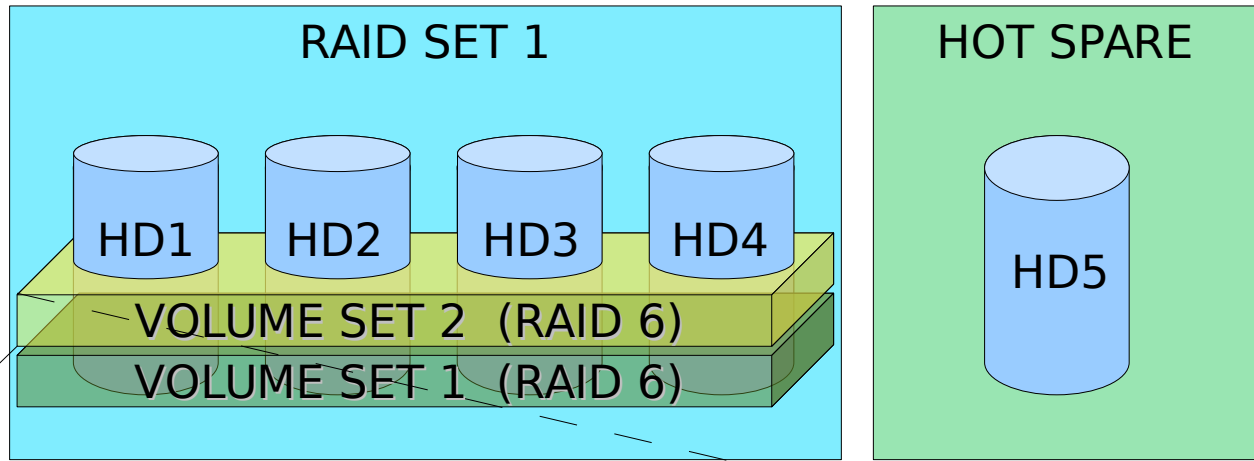
sdb1: /home

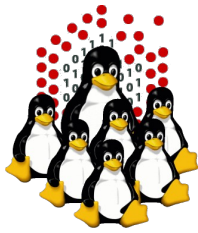




# VOLUME SET 2 (as RAID 6 for reliability)

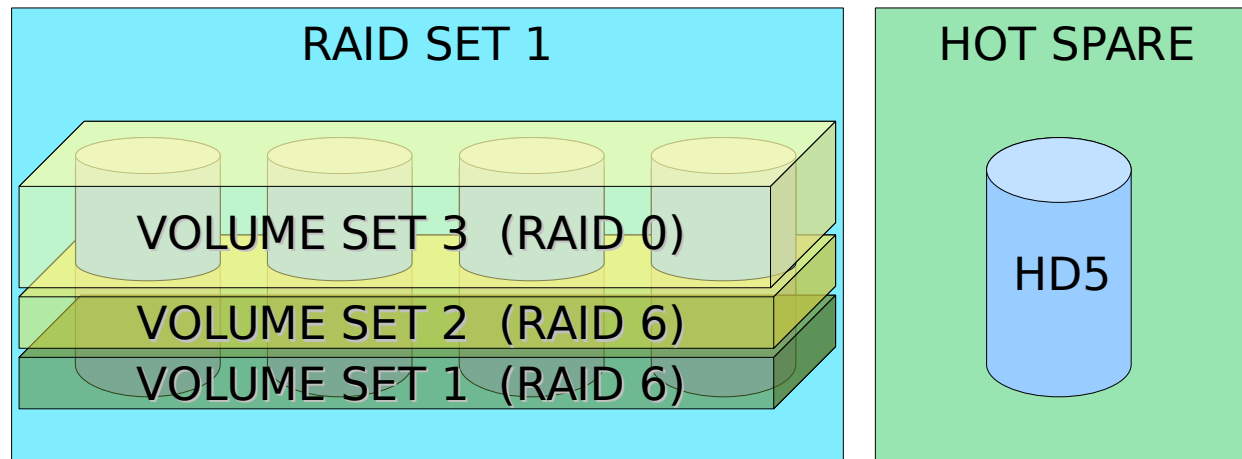
sdb1: /home

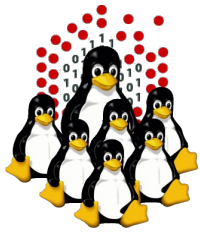




# VOLUME SET 3 (as RAID 0 for speed)

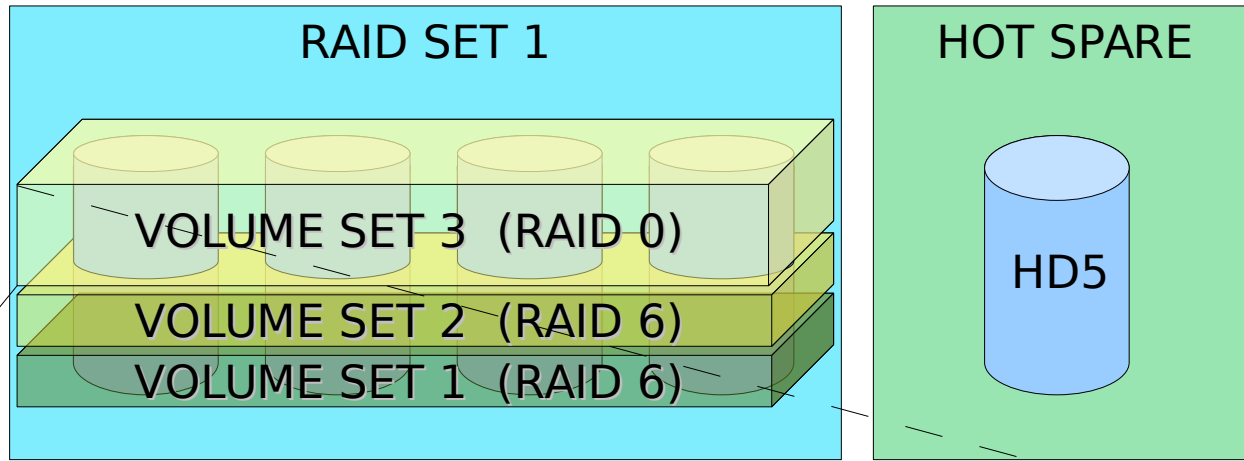
`sdc1: /scratch`





# VOLUME SET 3 (as RAID 0 for speed)

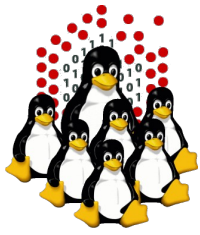
**sdc1: /scratch**



/dev/sdc

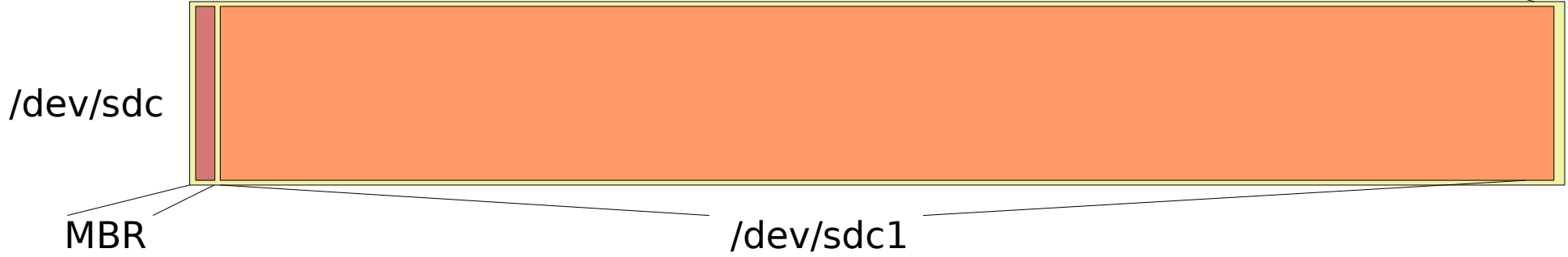
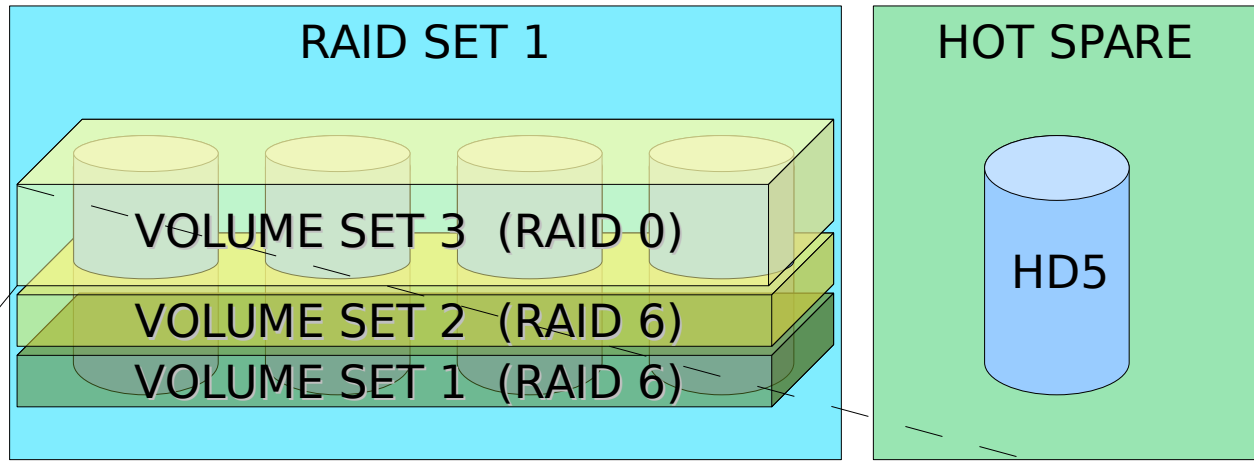


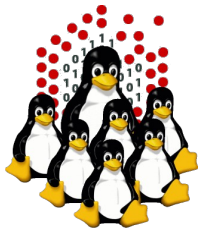




# VOLUME SET 3 (as RAID 0 for speed)

**sdc1: /scratch**





# VOLUME SET 3 (as RAID 0 for speed)

**sdc1: /scratch**

